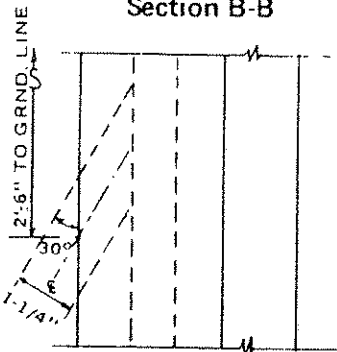


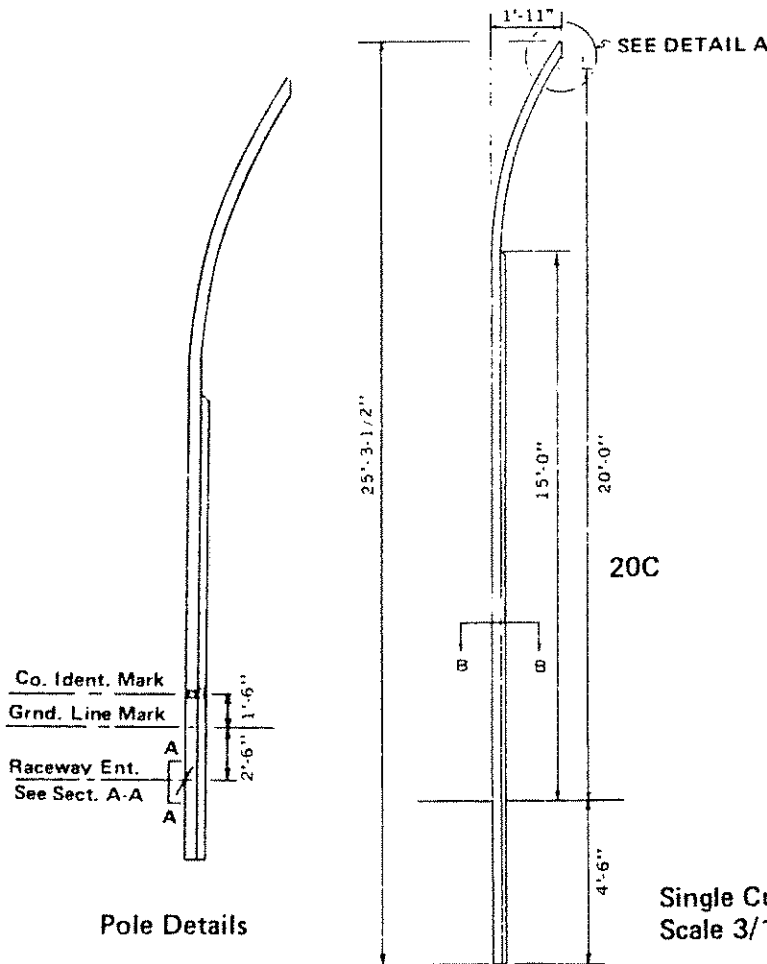
Section B-B



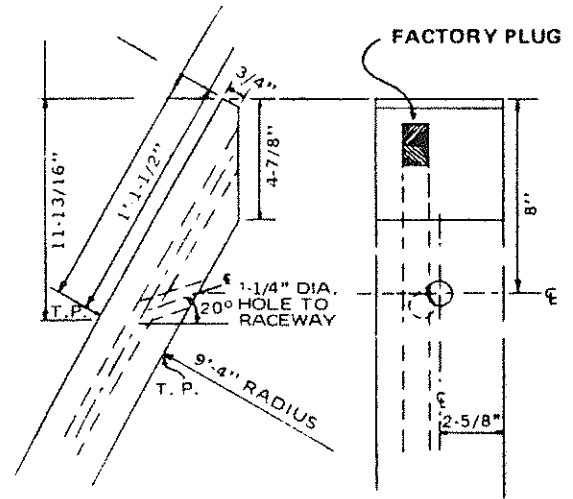
Section A-A

SPECIFICATIONS

- 1.0 **General:** Timber Wood Lighting Standards shall be of materials, sizes, styles, patterns and fabrication as specified herein and as shown on J.H. Baxter detail drawings.
- 2.0 **Lumber:** Coast region Douglas fir only. L1 laminating grade for strength and appearance is used for manufacturing. Construction grade on all exposed wide faces. Grades are described in current WCLIB Grading Rules.
- 3.0 **Laminating Requirements:** Light Standards shall be laminated with adhesives meeting or exceeding the exterior durability performance requirements of most recent revision of U.S. Commercial Standard ANSI/AITC A190.1-1983.
- 4.0 **Surface Finish, Appearance & Tolerance:** Open defects such as knot holes exceeding 1/2" in diameter or wane exceeding 1/4" x 12" shall be filled with woodfiller. Sides shall be surfaced four faces with edges eased to 3/8" radius. Tolerances shall be from +0 to -1/8" for width and thickness and ±1/4" in length.
- 5.0 **Preservative Treatment:** Standards will be treated with 6% pentachlorophenol borne in light hydrocarbon solvent in conformance with AWWA Standards to a minimum net retention of .60 pounds per cubic foot of penta. All standards will be incised on all four sides to 3/4" in depth from butt to 12 inches above indicated ground mark.
- 6.0 **Trademark:** Each standard shall be branded to indicate Manufacturer-Month-Year at 18" above intended ground line.
- 7.0 **Wrapping:** Lighting standards will be individually wrapped.
- 8.0 **Embedment:** As required by local codes and soil conditions. Designed by others. Refer to form no. SL-1281 for recommendations.
- 9.0 **Top Protection:** Metal cap must be installed unless fixture is top mounted.



Pole Details



Top Framing - Detail A

Single Curved
Scale 3/16"=1'-0"