

**Project:**

Cabela's retail store in Billings, MT

**Products:**

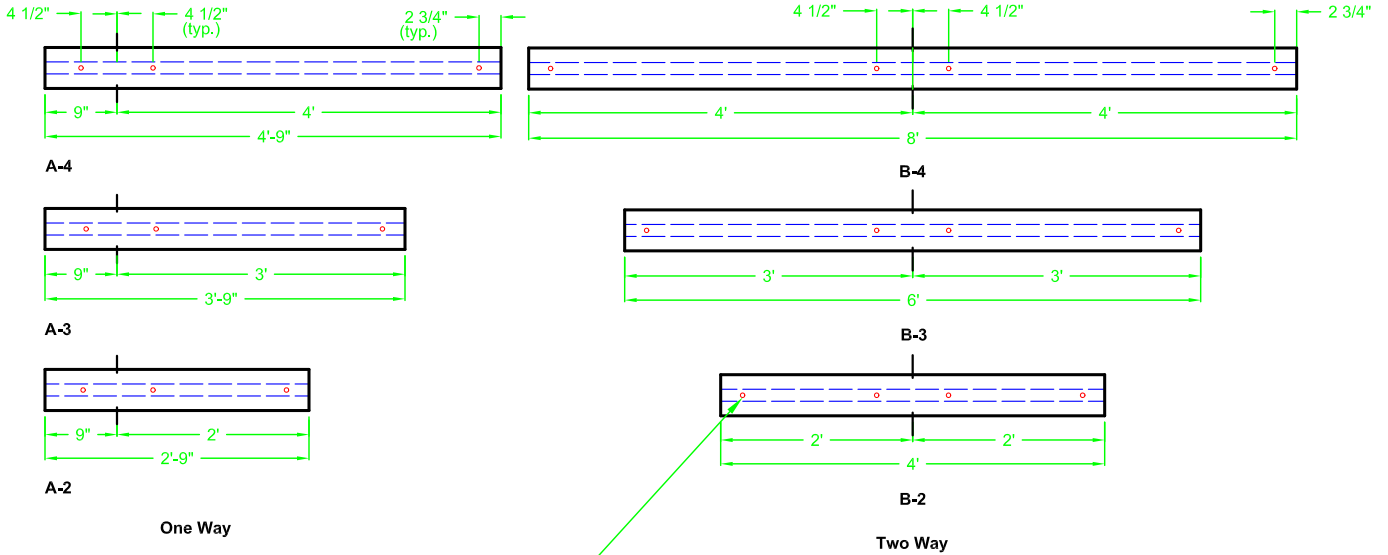
- TimberWood model custom pole  
6"x 6 3/4" - 20'
- TimberWood B-3 steel base bolted  
to concrete pier.
- TimberWood A-3 one-way crossarm

**Lights**

- Luminaire - LSI Greenlee Lifestyle.

The logo for JBaxter, featuring a stylized 'JB' in green and blue followed by the word 'Baxter' in black.**TimberWood® Products**

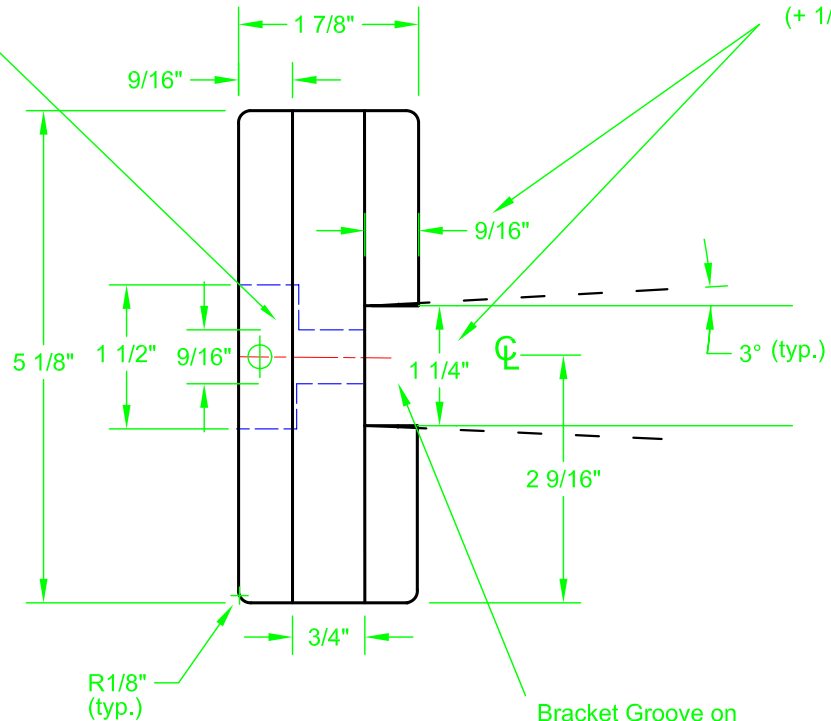
[www.woodlightpoles.com](http://www.woodlightpoles.com)



Scale: 1/2" = 1'

Typical Drill 9/16" Ø Hole  
& CSK 1-1/2" Deep  
(This Face Only)

Critical Dimension  
(+ 1/32")



Scale: 6" = 1'

# Cross Arms

## A (One Way) and B (Two Way) Series